

FONT30

Wall-Mounted Bottle Filler

- Easy to install, cost effective & tough, a bottle filler with bubbler for inside, & covered outdoor installation in schools, institutions & public access spaces
- A solid Manual Push Button Bottle Filler and JoyStick Bubbler, made of high grade Stainless Steel
- The FONT30 connects straight into the mains supply providing unchilled water
- We recommend to use our Plumbing and Filter Kit to connect to the mains. The FONT30 can also be connected to a our UC800 Undersink Chiller to dispense chilled water
- Easy to install, simple to maintain and cost effective, the FONT30 meets the growing need of accessible Drinking Water for all

FONT30



FONT30CL



FONT30CL

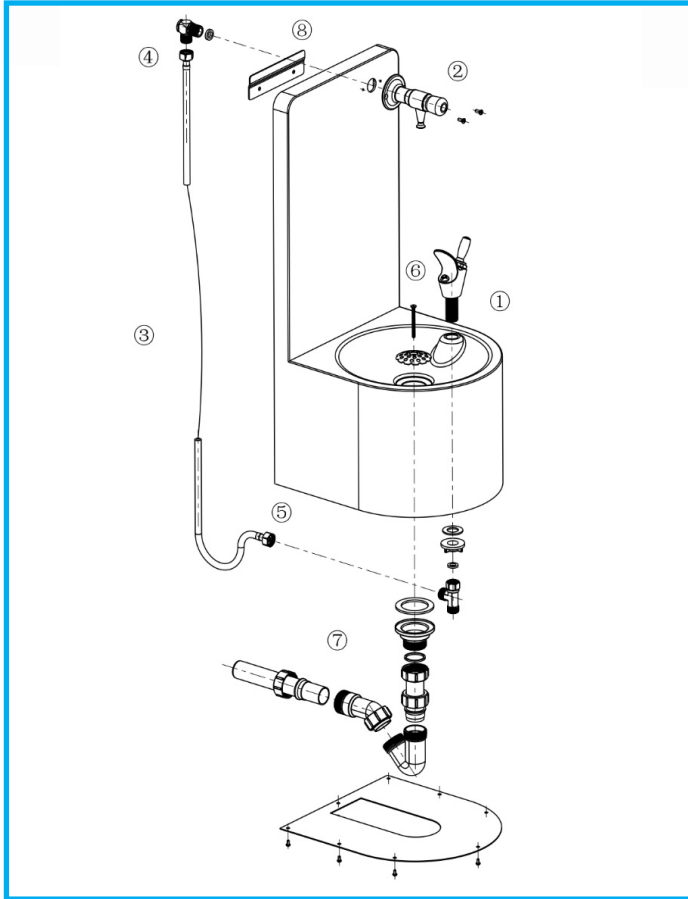
Wall-Mounted Contactless Bottle Filler With Contactless Bubbler For Indoor Or Covered Outdoor Installation

- FONT30CL with Infra Red Sensor is designed to avoid hand to tap bacterial contamination
- For indoor or covered outdoor installation in schools, institutions and public access spaces
- The FONT30CL connects straight into the mains supply providing unchilled water
- We recommend to use our Plumbing and Filter Kit to connect to the mains. The FONT30CL can also be connected to a our UC800 Undersink Chiller to dispense chilled water
- The Infra Red Sensor is activated by a hand hovering over the Infra Red Sensor at a distance of 2cm to 5cm
- The Sensor is connected to an Inlet Solenoid valve which opens the water supply when activated, and stops the water flowing when the hand is removed
- The Solenoid Valve is powered by two 3V batteries with a tested life span of 86.000 Solenoid activations
- The Contactless FONT30CL is programmed to stop dispensing after 6 seconds. If that is insufficient you can place your hand again over the sensor to continue dispensing

AAFIRST
WATER COOLERS
& BOILERS



refreshingly different



FONT30 Wall-Mounted Bottle Filler

Installation Instructions

- Connect the Inlet Hose (3) to the Bottle Filler (4) and Bubbler (5)
- Install the Wall Bracket (8) on which the FONT 30 will hang. Use conventional wall fixings depending on the type of wall. Drill two more holes for two fixing screws at the bottom of the FONT 30 frame
- Connect the drain to the basin. Use an allen key to tighten the drain screw to the basin (6). Assemble the drain as shown (7). Tighten the tail pipe, P-trap and drain pipe by hand before you tighten them with a wrench
- Hang the FONT 30 on the Wall Bracket and secure the frame to the wall with the two fixing screws at the bottom of the frame. Screw the bottom plate to the frame with the screws provided

Description	Dimensions H X W X D (MM)	Weight (Kg)
FONT30	750x 330 x 370	12.5
FONT30CL	750x 330 x 370	12.5

Accessories For The FONT30 & FONT30CL

FONT101CL Contactless Bubbler

The FONT101CL Contactless Bubbler has an Infra Red Sensor which is activated by a hand hovering over it at a distance of 2cm – 5cm



Installation Rail With Filter. Includes Compression Fitting, 1-Micron Green Filter, Water Block, Copper Pressure Reducing Valve & Non-Return Valve.

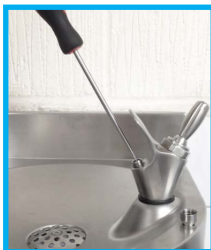


The FONT10/FONT10CL & FONT10BCL can all be connected to an undersink chiller to provide chilled water.



FONT101 Bubbler Manual Bubbler

To increase/decrease the water flow remove the outer Bubbler spout and then adjust with a screw driver



Filter Housing With Carbon Block Candle & Nanofilter.

