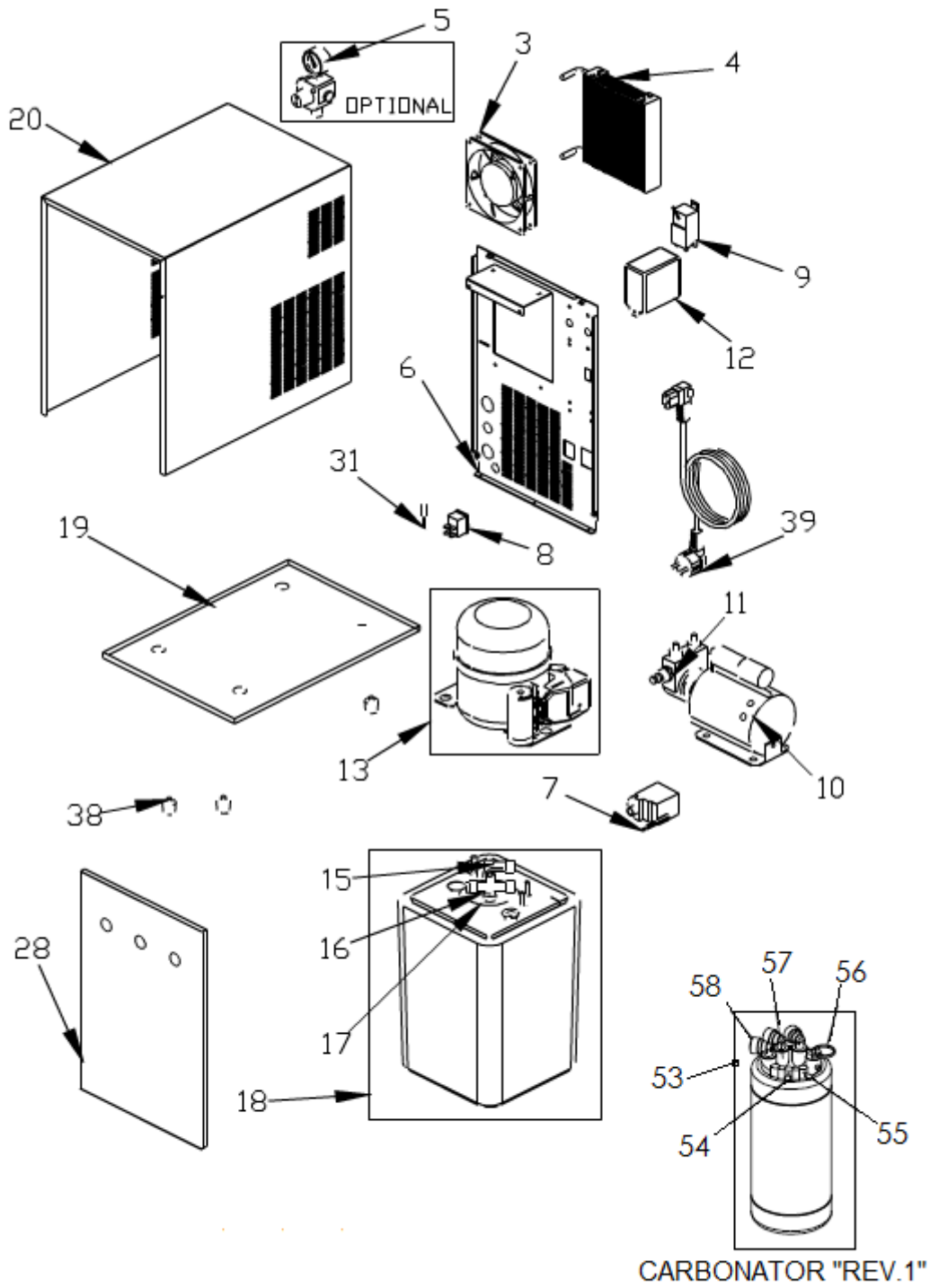


CU+ J-class IN 30-45 WG

Technical Diagram



Grouped product items

Pos	Code	Product Name
3	1761101604	MOTOR FAN 230V
4	1601124	VENTILATED CONDENSER
5	099002	R-UG
5	099003	R-RIC
6	1704254	SKINPLATE REAR SKINPLATE
6	170111215	BACK PANEL IN V12
7	1501521	AGITATION PUMP 230V
8	3822714	SWITCH 115/230V
9	3824929	THERMOSTAT FOR ICE BANK
10	1761304005	MOTOR FOR PUMP 230V
11	1761517011	BRASS PUMP 1/4 FF 100 LT/H (CU)
11	1761517006	PUMP (100 Lt/h)
12	3821914	LEVEL CONTROL 230V
13	1581182	COMPRESSOR 230V-50Hz
15	2521419	Carbonator water inlet PIPING
16	2521418	Carbonator CO2 inlet PIPING
17	2541504	CARBONATING UNIT
18	815011109	COMPLETE ICE BANK - WG 30 LT/H 230V
18	815011111	COMPLETE ICE BANK - WG 45 LT/H 230V
19	170111013	BASE
20	170111355	WHITE CABINET (J-IN)
20	170111011	CABINET
28	170111012	FRONT PANEL
28	170111354	SKINPLATE FRONT PANEL
31	815614022	RED LIGHT 230V
38	2781596	FEET
39	3821719	UK POWER CABLE
39	3821718	SCHUKO ELECTRIC CABLE
53	2541510	CARBONATING UNIT "REV.1"
54	2521568	75 mm PROBE
55	2521567	225 mm PROBE
56	2641526	CARBONATOR SECURITY VALVE + O ring
57	2521479	NO RETURN VALVE
58	2521478	CARBONATING INLET PIPING