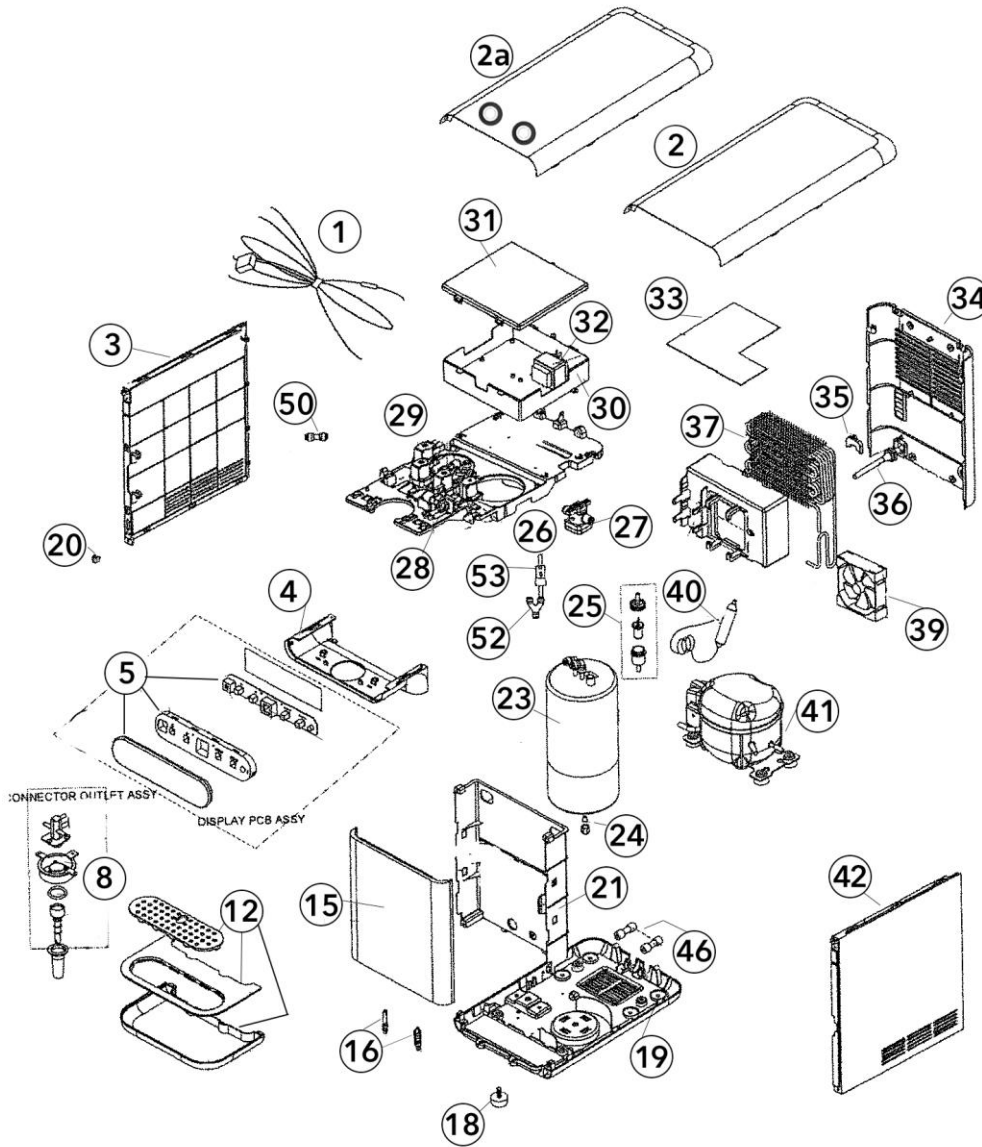


ARCTIC REVOLUTION 70 SERIES WATER COOLERS
PARTS LIST

No	Description	Code	Remarks
1	WIRING LOOM	WB7001	
2	TOP PANEL	WB7002	
2B	TOP PANEL B	WB7002B	Top panel black
3	SIDE PANEL L	WB7003	Left panel
3B	SIDE PANEL LB	WB7003B	Left panel black
4	DISPENSER COVER	WB7004	
4B	DISPENSE COVER B	WB7004B	Dispense cover black
5	DISPLAY PCB ASSY	WB7005	
8	OUTLET/CONNECTOR ASSY	WB7008	
12	DRIP TRAY (C)	WB7012	Complete
12B	DRIP TRAY (C) B	WB7012B	Complete black
15	FRONT PANEL	WB7015	
15B	FRONT PANEL B	WB7015B	Front panel black
16	PANEL SHAFT+SPRING	WB7016	
18	FOOT	WB7018	
19	BASE PLATE	WB7019	
21	FILTER CLIP PLATE	WB7021	
23	COLD TANK	WB7023	
24	TANK DRAIN CAP	WB7024	
25	FLOAT	WB7025	
26	COVERPLATE	WB7026	
27	VALVE	WB7027	
28	SOLENOID COLD	WB7028	
29	SOLENOID AMBIENT	WB7029	
30	PCB BRACKET	WB7030	
31	PCB COVER	WB7031	
32	TRANSFORMER	WB7032	
33	MAIN PCB	WB7033	
34	REAR PANEL	WB7034	
35	BRACKET/POWERCORD	WB7035	
36	POWERCORD	WB7036	
37	CONDENSOR	WB7037	
39	FAN COMPLETE	WB7039	
40	DRYER	WB7040	
41	COMPRESSOR	WB7041	
42	SIDE PANEL R	WB7042	Right panel
42B	SIDE PANEL R B	WB7042B	Right panel black
46	INLET/OUTLET VALVE	WB7046	
50	JG PUSHFIT STRAIGHT	WB7050	
52	PUSHFIT Y	WB7052	
53	AIR RELEASE VALVE	WB7053	
	70CLKIT		
2ACL	70CLKIT CREAM COMPLETE	70CLKIT	Contactless Kit
2ACLB	70CLKIT BLACK COMPLETE	70CLKITB	Contactless Kit black

ARCTIC REVOLUTION 70 SERIES WATER COOLERS EXPLODED DRAWING



AA First is a division of Circon Ltd : Registered in England 5121722

European HQ: Cedar House
Grange Farm
Long Lane
Newbury
RG14 2TF

T: +44 (0) 1635 202489
E: enquiries@aafirst.co.uk
W: www.aafirst.co.uk

Bureau Français: T: +33 (0) 640650708
E: lesley@aafirst.co.uk
W: www.aafirst.co.uk/french/

