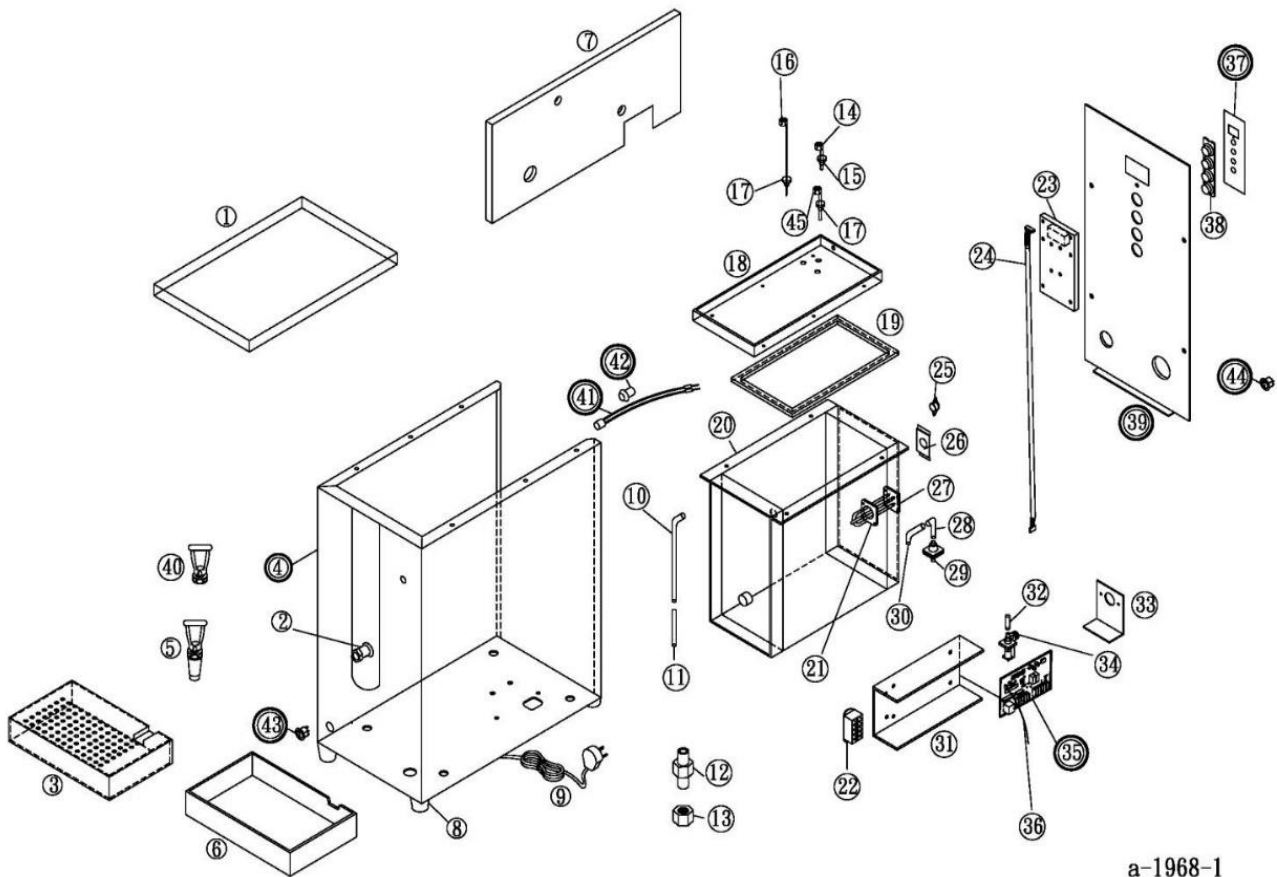


PowerSmart 3 (2)



a-1968-1

No	Description	Code	Remarks
1	Top Lid for outer Shell	AA201	
2	Shank of Faucet	AA1206	
3	Grill for Drip Tray	AA203	
4	S.S. Body Shell	AA304	Only for PS3
4	S.S. Body Shell	AA204	Only for PS2
5	Outlet Faucet Complete	AA1207T	
6	Drip Tray	AA206	
7	Thermal Insulation / Glass Fiber	AA207	
8	Rubber Feet	AA208	
9	Mains Lead	AA1217	
10	Silicon Overflow Tube L*290mm	AA1218	Vent Pipe
11	Silicon Tube 70mm	AA211	Vent Pipe
12	Two Way Connector	AA212	

AA First is a division of Circon Ltd : Registered in England 5121722

European HQ: Cedar House
Grange Farm
Long Lane
Newbury
RG14 2TF

T: +44 (0) 1635 202489
E: enquiries@aafirst.co.uk
W: www.aafirst.co.uk

Bureau Français: T: +33 (0) 640650708
E: lesley@aafirst.co.uk
W: www.aafirst.co.uk/french/



13	Connector Nut	AA213	
14	Short Level Sensor Probe / 3.0*95	AA214	Old
14a	Short Level Probe	AA214N	New From S/N 2014090099
15	Plug Seal for Short Level Probe / 3mm	AA215	
16	Long Level Probe / 2.0*323	AA216	Old
16a	Long Level Probe	AA216N	New From S/N: 2014090099
17	Plug Seal for Long Level Sensor Probe /2mm	AA217	
18	Top Lid of Inner Tank	AA218	
19	Gasket for Top Lid of Inner tank	AA219	
20	Water Tank Assembly	AA220	
21	Gasket for Heating Element	AA1235	Same On 1200
22	Relay	AA1237	Same On 1200
23	Monitor	AA223	
24	Ribbon Wires 12P 400mm	AA224	
25	105°C Temperature Controller	AA1232	Same On 1200
26	Frame for Temperature Controller	AA226	
27	Heating Element 2KW + C00613004 +B05001033	AA1233	Same On 1200
28	Silicon Tube L*50	AA228	
29	3/4" Reverse Valve (Non-Return Valve)	AA229	Connect Silicon tube
30	Silicon Tube L*70	AA230	
31	Frame for PCB	AA231	
32	Silicon Tube 40mm	AA232	
33	Frame for Solenoid Valve	AA233	
34	Inlet Solenoid Valve 3/4" inlet	AA234	PS2 and PS3*
34b	New Inlet Solenoid for PS3 1/4" inlet	AA1227	*From 2021 SN 2021030001
35	PCB with Sensor Light	AA335	Only for PS3
35	PCB With Timer	AA235	Only for PS2
36	Red Sensor Wire	AA236	Same On1200
37	Label for operation	AA337	Only for PS3
37	Label for Timer	AA237	Only for PS2
38	Silicon Rubber for Press Button	AA238	
39	S.S. Rear Panel	AA339	Only for PS3
39	S.S. Rear Panel	AA239	Only for PS2
40	Upper Assembly of Hot Tap	AA1205T	
41	Sensor Light Resistor (Overfill)	AA341	Only for PS3
42	Protection Rubber for Resistor Wire	AA342	Only for PS3
43	On/Off Switch / Green Button/ Round Type	AA343	Only for PS3
44	On/Off Switch / Black Button / Round Type	AA344	Only for PS3
45	OFL Level Sensor Probe	AA345	Overfill Probe

AA First is a division of Circon Ltd : Registered in England 5121722

European HQ: Cedar House
Grange Farm
Long Lane
Newbury
RG14 2TF

T: +44 (0) 1635 202489
E: enquiries@aafirst.co.uk
W: www.aafirst.co.uk

Bureau Français: T: +33 (0) 640650708
E: lesley@aafirst.co.uk
W: www.aafirst.co.uk/french/

