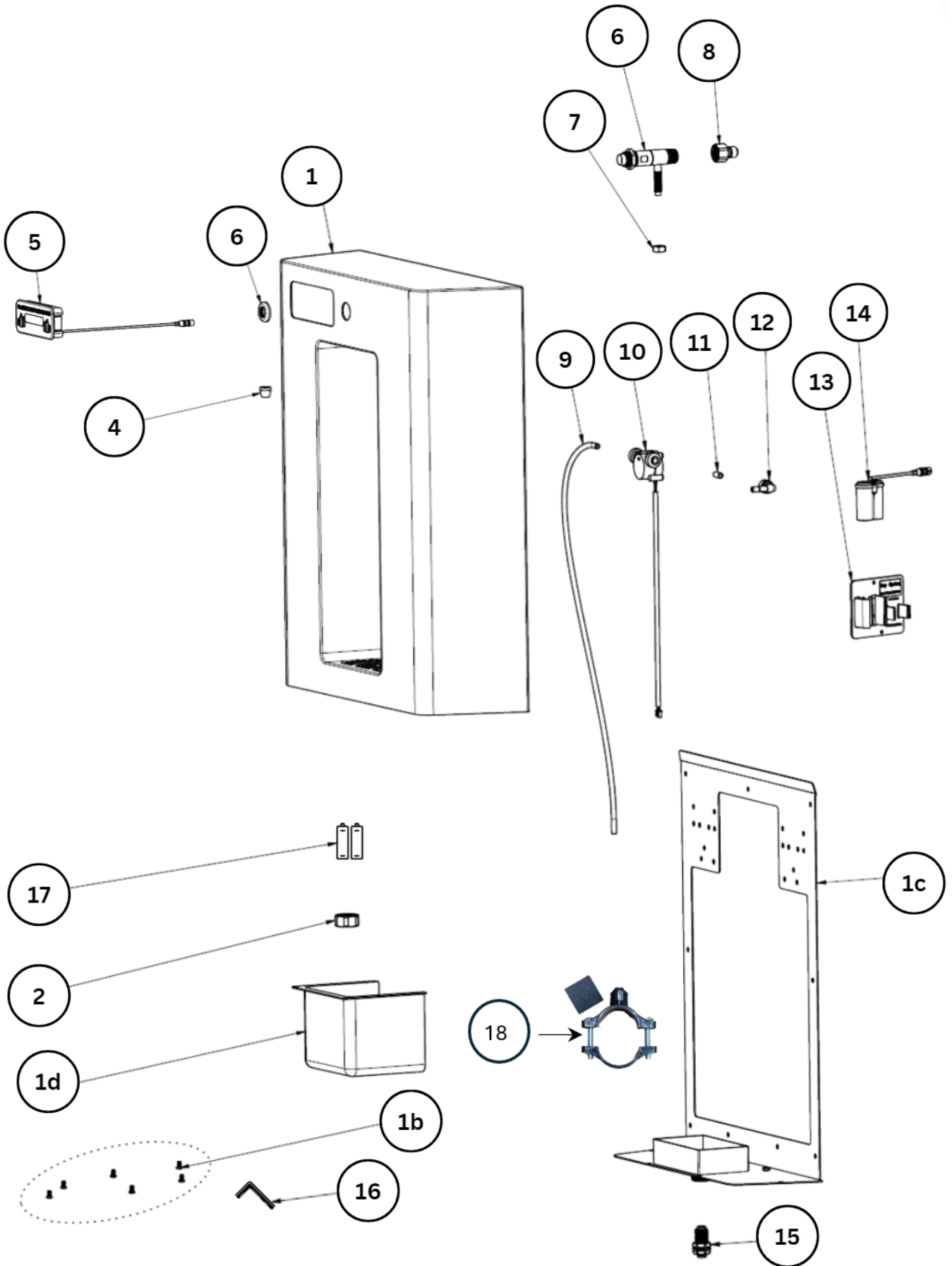


## FONT 50 Wall Mounted Bottle Filler Parts List



NO.	DESCRIPTION	CODE	REMARKS
1	Fountain Cover	FONT501	
1b	Allen key 2.5mm Screws x6	FONT501B	
1c	Wall Mounting Bracket with Drip Tray	FONT501C	
1d	Pipework Cover	FONT501D	
2	3/4" BSP to 3/8" Push-fit Reducer	REDU3438	
4	Outlet Cover	FONT504	
5,10	Bottle Savings Calculator & Flow Meter	FONT505	
6	Instant Angle Valve	FONT506	
7	Hex Nut	FONT507	
8	Valve Connection	FONT508	
9	John Guest 1/4" Tube (x45cm)	FONT509	
11	John Guest 1/4" Tube (x4cm)	FONT5011	
12	John Guest 1/4" Elbow	FONT5012	
13,14	Fixing Plate & Battery Box	FONT5013	
15	Drain Connector	FONT5015	
16	Allen Key 2.5mm	FONT5016	
17	Batteries x2	FONT5017	
18	3/8" Push Fit to 32mm clamp for waste	FONT5018	Optional

AA First is a division of Circon Ltd: Registered in England 5121722

European HQ:

Cedar House T: + 44 (0) 1635 202489  
 Grange Farm E: enquiries@aafirst.co.uk  
 Long Lane W: aafirst.co.uk  
 Newbury  
 RG14 2TF

French HQ:

T: +33 (0) 674437445 T: +33 (0) 640650708  
 E: derek@aafirst.eu E: lesley@aafirst.eu  
 W: aafirst.fr W: aafirst.fr  
 W: aafirst.de W: aafirst.de  
 W: aafirst.eu W: aafirst.eu

