

INSTALLATION INSTRUCTIONS

EZYTAP AC800



EZYTAP AC800

Pictured with EZYTRAY3 (optional)

AA First is a division of Circon Ltd: Registered in England 5121722

European HQ:

Cedar House
Grange Farm
Long Lane
Newbury
RG14 2TF
T: + 44 (0) 1635 202489
E: enquiries@aafirst.co.uk
W: aafirst.co.uk

French HQ:

T: +33 (0) 674437445
E: derek@aafirst.eu
W: aafirst.fr
T: +33 (0) 640650708
E: lesley@aafirst.eu
W: aafirst.fr
W: aafirst.de
W: aafirst.eu



What is The EZYTAP AC800?

The EZYTAP AC is an electronic dispensing tap that can be connected to compatible chillers and filtered ambient water. The control box has two input feeds. 1 for ambient and 1 for chilled water. The tap is connected to the control box via the USB port and the ¼" tubing.

This product is sold as standard with a UC800M undersink chiller. This unit together with the EZYTAP AC forms the EZYTAP AC800. This tap can produce up to 11.5ltrs/h of cold water and has a 24cm dispensing height.

The EZYTAP AC800 consists of 5 components

CODE	DESCRIPTION	COMMENTS
EZAC001	Electronic Tap Only Cold and Ambient	The tap includes a USB cable connect to the control box. 1 metre length of ¼" Tube.
EZAC002	Control Box for Ezytap AC	Use ¼" tubing for connection to the control box from the filter and from the chiller.
EZAC003	Power Supply for Control Box (EZAC002)	Connect to control box.
UC800M	Undersink Chilling Unit	11.5 Ltr/h of Cold Water.
CONT14	¼" Push Fit T Connector	Connect to Filter Outlet.

Please see next page for line drawings of each component.

AA First is a division of Circon Ltd: Registered in England 5121722

European HQ:

Cedar House
Grange Farm
Long Lane
Newbury
RG14 2TF
T: + 44 (0) 1635 202489
E: enquiries@aafirst.co.uk
W: aafirst.co.uk

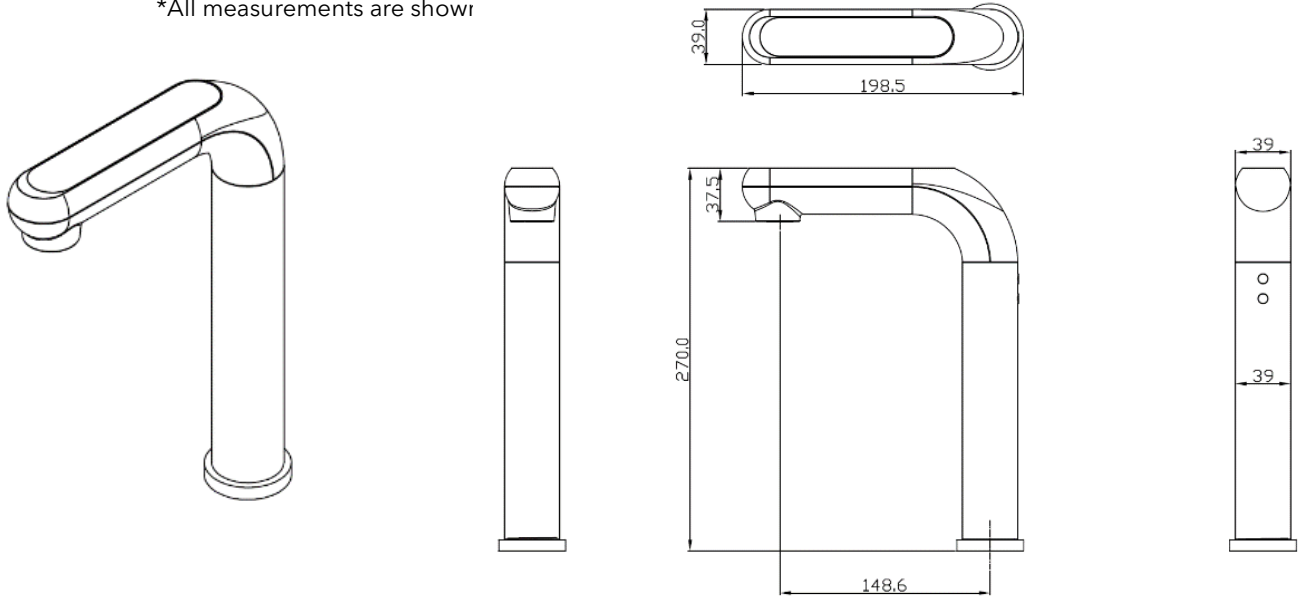
French HQ:

T: +33 (0) 674437445
E: derek@aafirst.eu
W: aafirst.fr
W: aafirst.de
W: aafirst.eu
T: +33 (0) 640650708
E: lesley@aafirst.eu
W: aafirst.fr
W: aafirst.de
W: aafirst.eu



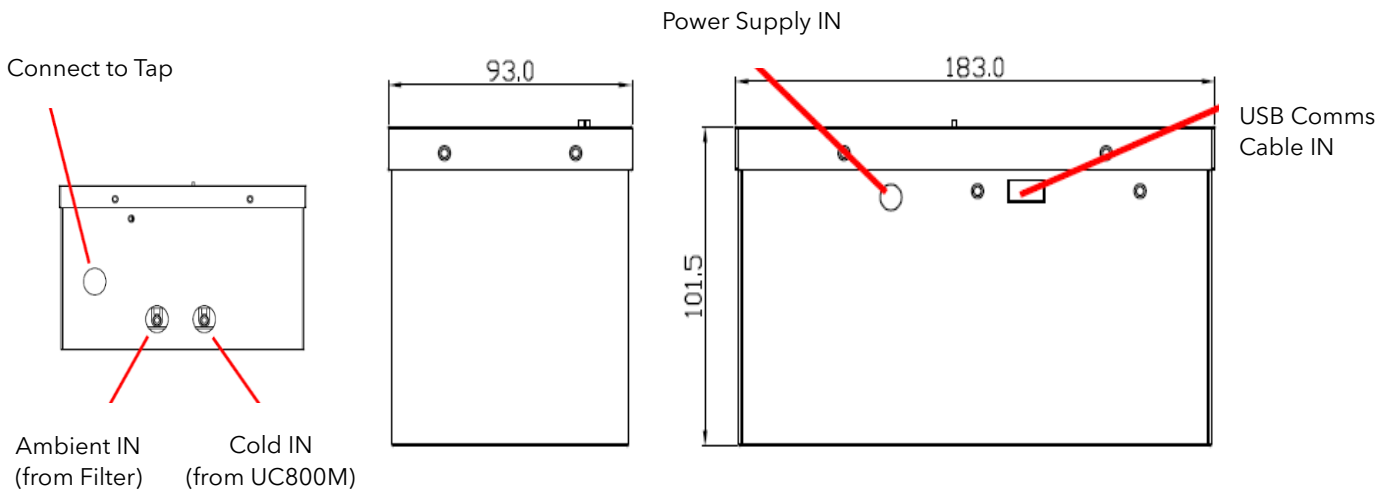
Electronic Tap (EZAC001)

*All measurements are shown in mm

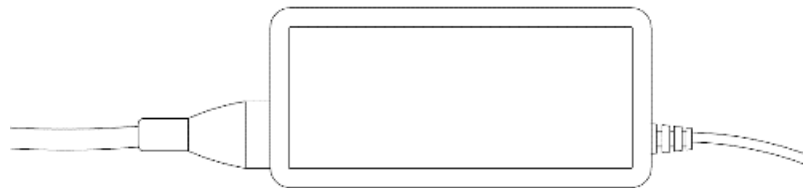


Control Box (EZAC002)

*All measurements are shown in mm



Power Supply (EZAC003)



AA First is a division of Circon Ltd: Registered in England 5121722

European HQ:

Cedar House
Grange Farm
Long Lane
Newbury
RG14 2TF
T: + 44 (0) 1635 202489
E: enquiries@aafirst.co.uk
W: aafirst.co.uk

French HQ:

T: +33 (0) 674437445
E: derek@aafirst.eu
W: aafirst.fr
T: +33 (0) 640650708
E: lesley@aafirst.eu
W: aafirst.fr
W: aafirst.de
W: aafirst.eu



EZYTAP AC800 Installation Instructions & Tips

1. Determine a convenient location to mount the EZYTAPAC faucet on your worktop. This can be an existing faucet hole, or you may need to drill a new 30/35mm hole into your worktop. If installing with the EZYTRAY(2/3) refer to the instructions provided with the EZYTRAY.
2. Ensure adequate cupboard space and ventilation for installation of the UC800M chiller (If supplied)
3. Ensure power is within 1.2 metres of the chiller (if supplied).
4. Ensure a potable water source is available for connection to the units.
5. Configure the filtration and plumbing connections according to your circumstance. (see below diagram)
6. **Please note all installations should include an installation rail with Water block and Pressure reducing valve.**
7. The thickness of the worktop must be less than 70mm.
8. All electrical and plumbing connections must comply with local legislation.

The Safety Valve Kit is supplied the UC800M Under-sink Chiller. It MUST be installed with all UC800M chillers.

The SVKIT is designed to protect the Under-sink Installation from excessive pressure in the water system, because of ice build-up in the water tank, by venting water into a waste outlet. Failure to install the Safety Valve Kit could lead to a failure of fittings and pipework and potentially lead to a leak.

Please follow the instructions provided with the SVKIT for fitting.

Please see next page for a line drawing of the EZYTAP AC800 installation set up.

AA First is a division of Circon Ltd: Registered in England 5121722

European HQ:

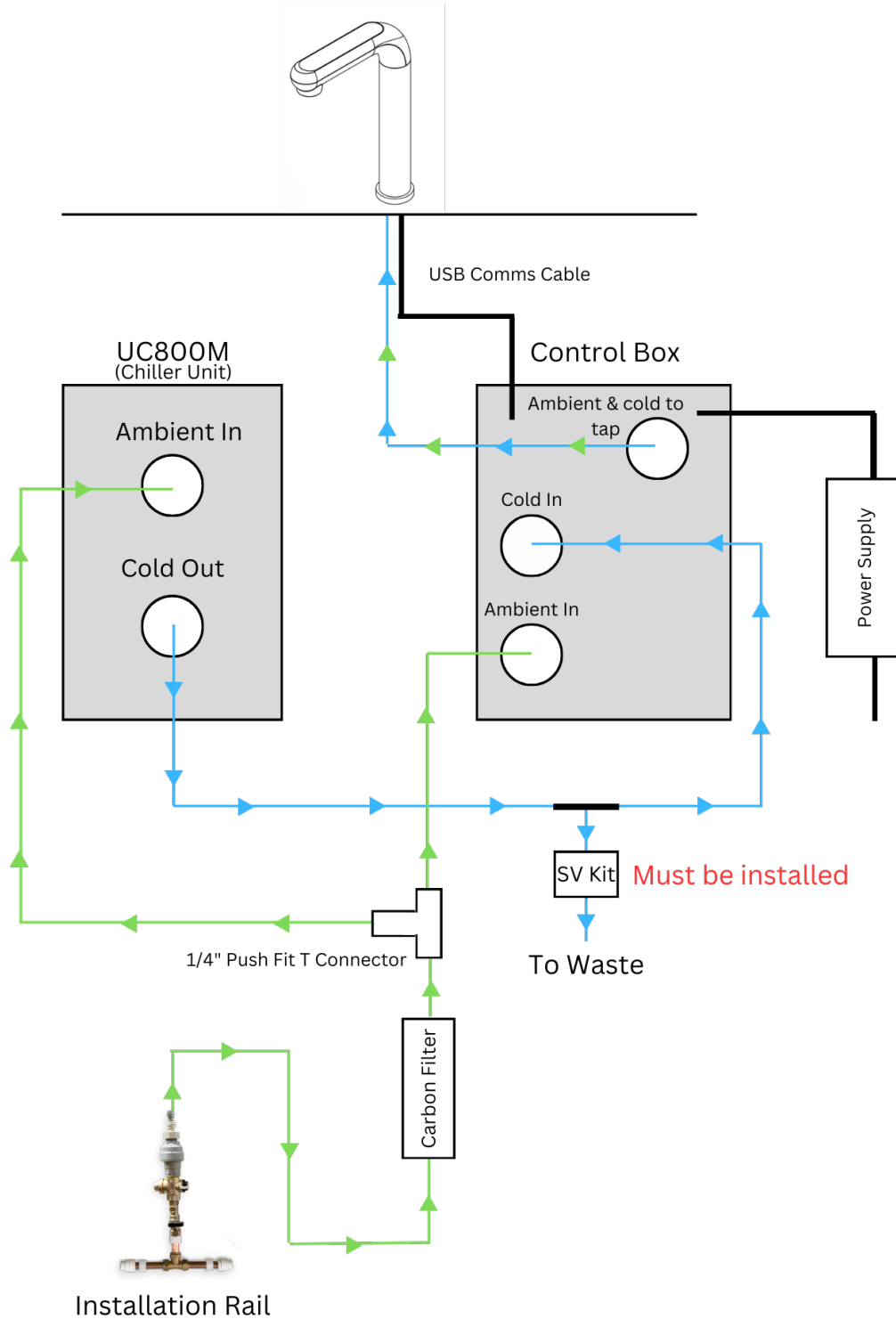
Cedar House
Grange Farm
Long Lane
Newbury
RG14 2TF
T: + 44 (0) 1635 202489
E: enquiries@aafirst.co.uk
W: aafirst.co.uk

French HQ:

T: +33 (0) 674437445
E: derek@aafirst.eu
W: aafirst.fr
T: +33 (0) 640650708
E: lesley@aafirst.eu
W: aafirst.fr
W: aafirst.de
W: aafirst.eu



EZYTAP AC800 Installation Set Up



AA First is a division of Circon Ltd: Registered in England 5121722

European HQ:

Cedar House
 Grange Farm
 Long Lane
 Newbury
 RG14 2TF
 T: + 44 (0) 1635 202489
 E: enquiries@aafirst.co.uk
 W: aafirst.co.uk

French HQ:

T: +33 (0) 674437445
 E: derek@aafirst.eu
 W: aafirst.fr
 W: aafirst.de
 W: aafirst.eu
 T: +33 (0) 640650708
 E: lesley@aafirst.eu
 W: aafirst.fr
 W: aafirst.de
 W: aafirst.eu

